



ESSO AUSTRALIA PTY LTD

Development Licence Application – Attachment 2: Figures and Maps

Hastings Generation Project

Rev	Date	Description	By	Checked	Approved
A	2/09/2021	Draft	WP		
0	22/11/2021	For use	WP	BL	BL



List of Figures

Figure 1: Regional Setting of Ethane Disposition Project – Mornington Peninsula, Victoria.....	3
Figure 2: Ethane Disposition Project	4
Figure 3: Power Plant Layout	5
Figure 4: Solar Titan 130 Turbine.....	6
Figure 5: Photograph of Transmission line Looking West to Long Island Drive.....	7
Figure 6: Photograph of Entrance to Power Plant from Bayview Road	8
Figure 7: Bunding Arrangements for Turbine Generators.....	9
Figure 8: Turbine Generator, Platforms and Walkways	10
Figure 9: Stack	11

Figure 1: Regional Setting of Ethane Disposition Project – Mornington Peninsula, Victoria

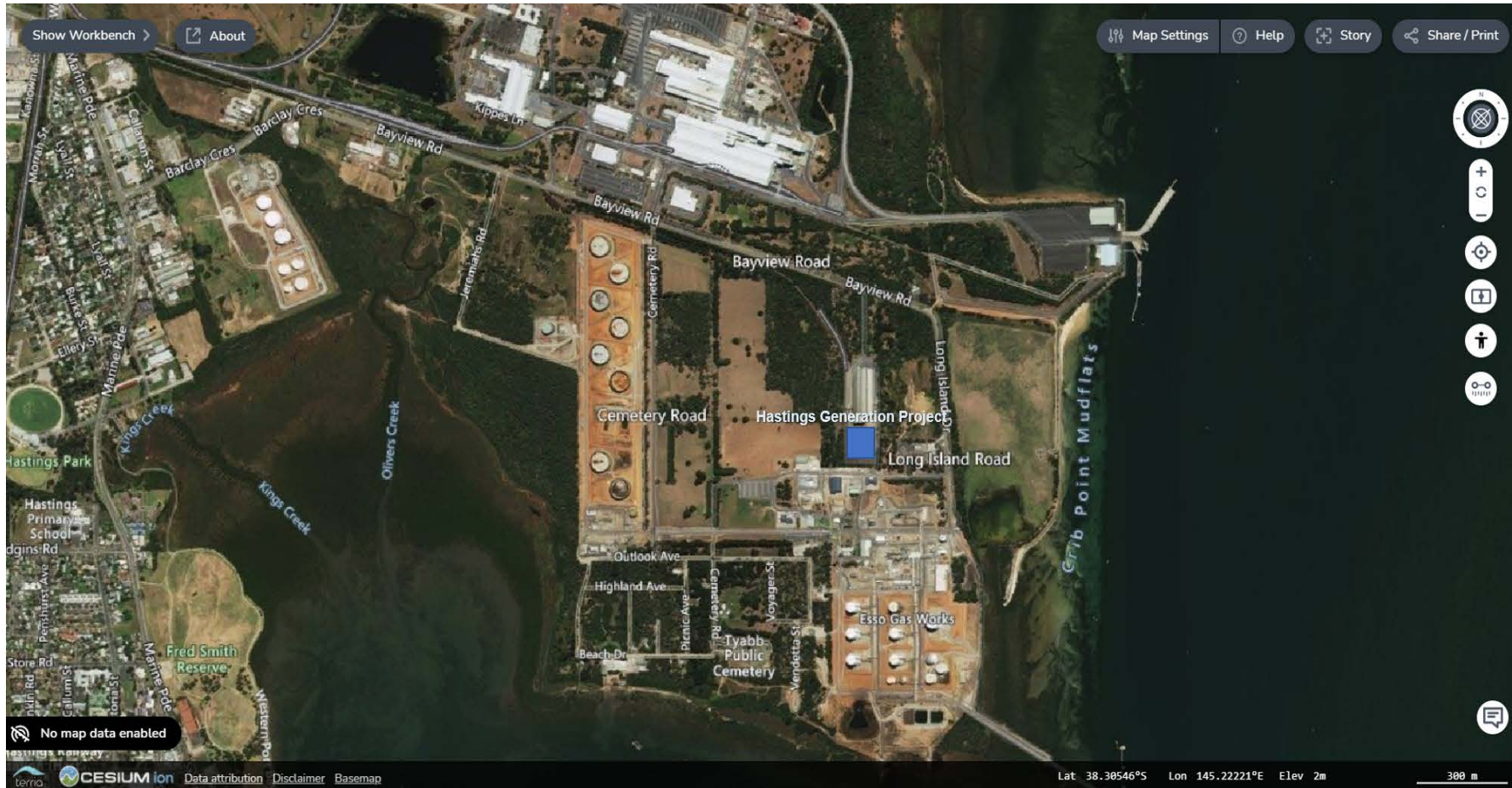


Figure 2: Ethane Disposition Project

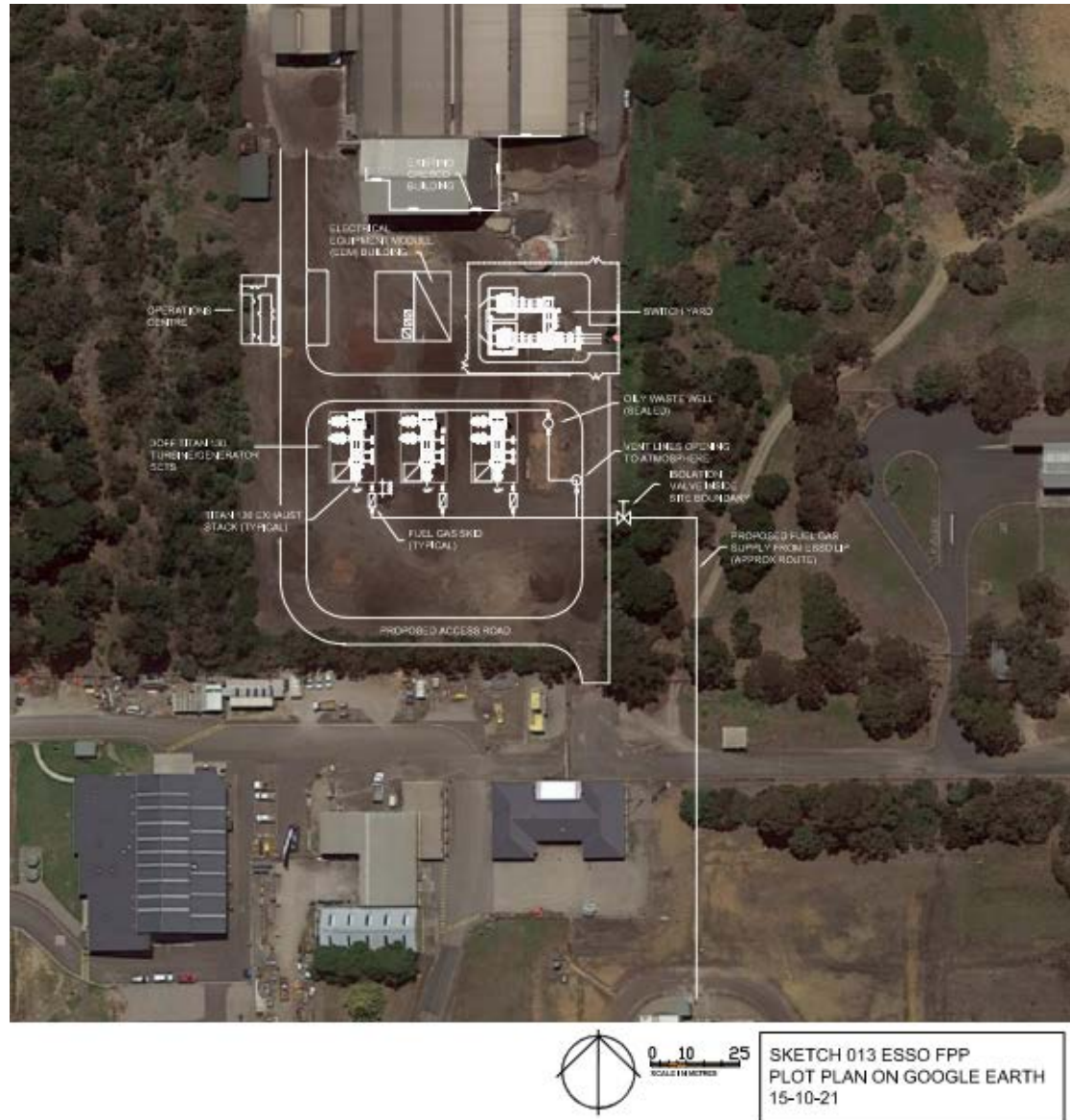


Figure 3: Power Plant Layout

Note: Control/Equipment room location in relation to generators not as depicted



Figure 4: Solar Titan 130 Turbine

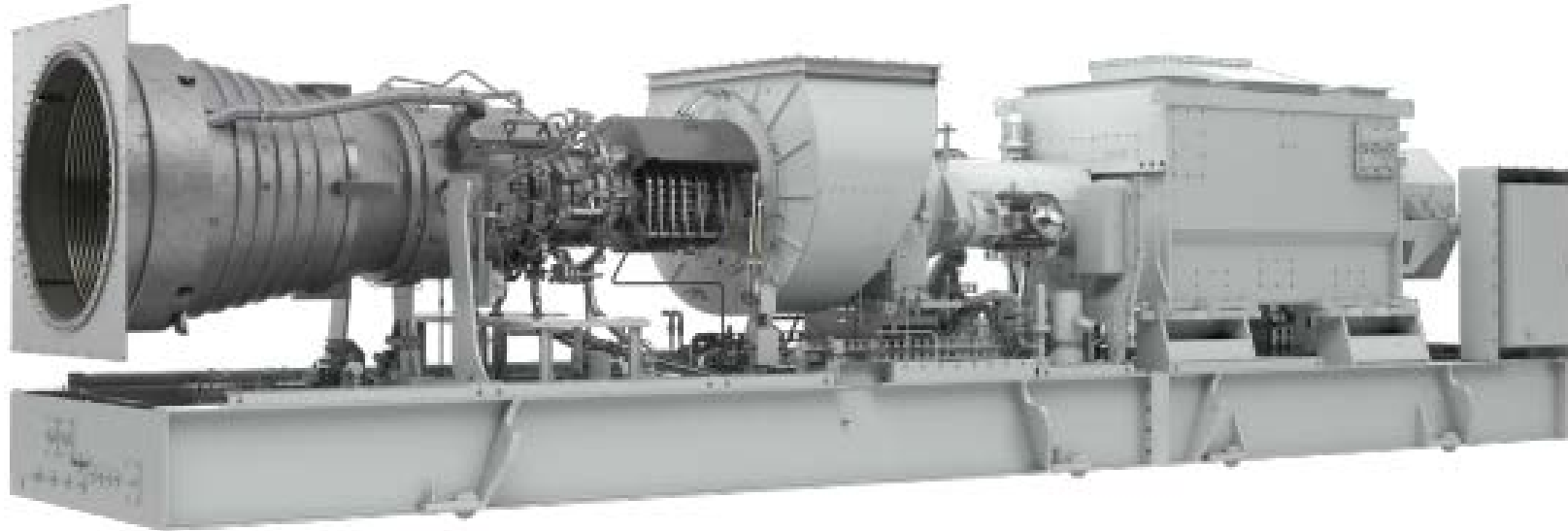


Figure 5: Photograph of Transmission line Looking West to Long Island Drive



Figure 6: Photograph of Entrance to Power Plant from Bayview Road



Figure 7: Bunding Arrangements for Turbine Generators

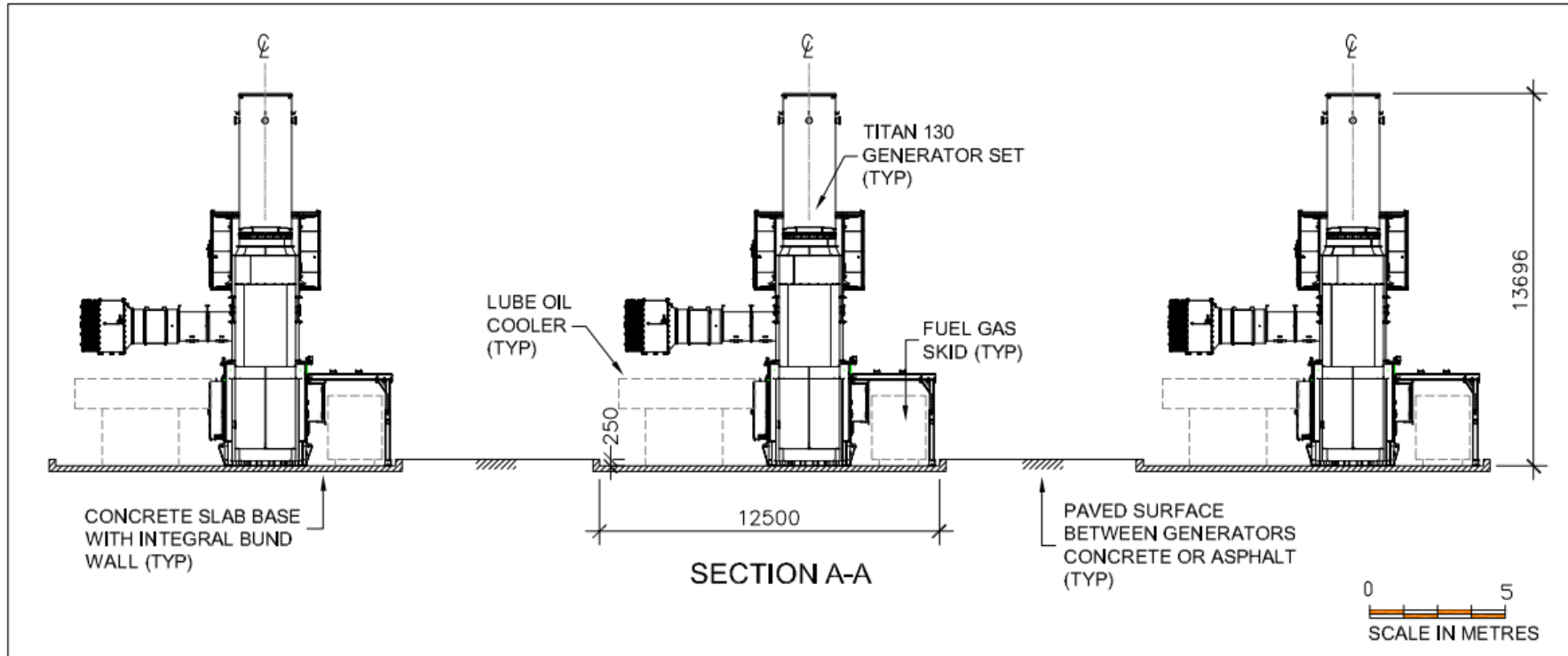


Figure 8: Turbine Generator, Platforms and Walkways

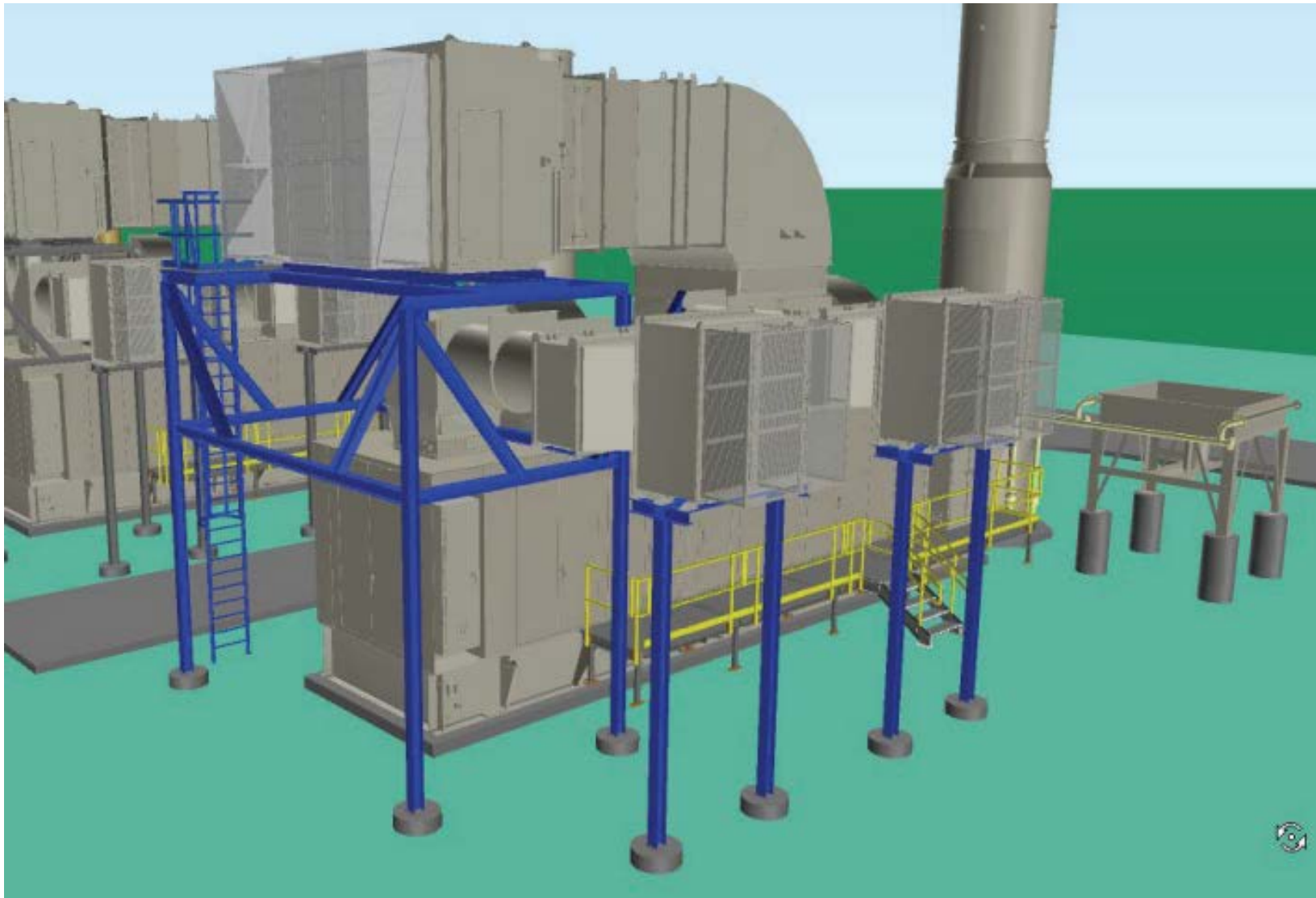


Figure 9: Stack

